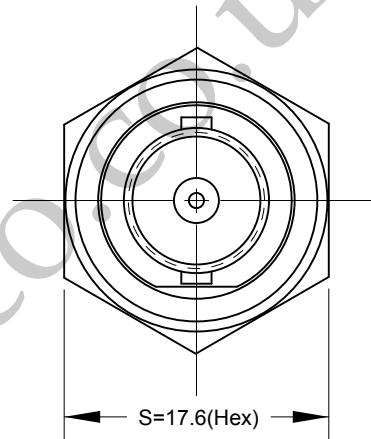
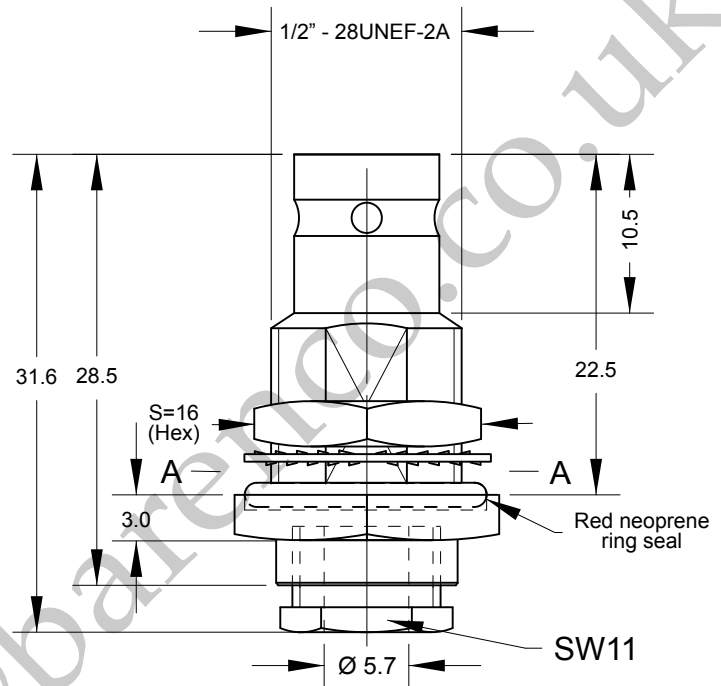


Panel Mounting Hole Cutout

End View
Nut, Washer and Neoprene removed.



Cable Types:-
RG58, RG141, RG142 & RG223



	PART	DESCRIPTION
1	Body	Brass, CuSnZn3
2	Insulator	PTFE
3	Contact Socket	Phosphor Bronze/Beryllium Copper Gold Plated

BARENCO Ltd

DRAWN Name B. Gell	BNC bulkhead socket	
Dimensions: mm		
Date 21/02/2019	SIZE A4	DWG NUMBER 165125
Last Rev. 10/04/2019	REV -	SHEET 1 OF 1
SCALE 1 : 0.5		

Barenco Ltd

Unit 14 Winterbeck Ind. Est. Orston Lane, Bottesford,
Nottinghamshire NG13 0AU. Tel. 0(44)1949 860400
Email.Sales@barenco.co.uk. Web.www.barenco.co.uk