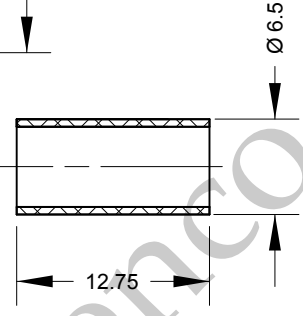


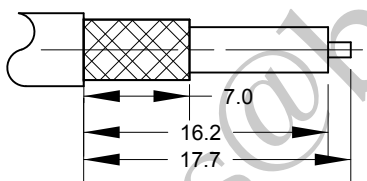
Note:
Supplied with heatshrink for crimp ferrule
Crimping Details
Crimp Ferrule Hex 0.213" (5.41mm)
Crimp Tool Order Code:-
180455, 180456 & 180458



Cable : RG58, RG141 & Equivalents

Cable Preparation

RG58, RG141 & Equivalents



Cable Construction Specifications

	RG58	RG141
Inner Conductor	0.91mm	0.94mm
Dielectric	2.95mm.	2.95mm
Overall Braid	3.30mm	3.30mm
Jacket	4.95mm	4.80mm

6	Ferrule	Phosphor Bronze	1	CuSnZn3
5	Nut	Brass	1	CuSnZn3
4	Crimp Ferrule	Brass	1	CuSnZn3
3	Shell / Body	Brass	1	CuSnZn3
2	Insulator	PTFE / Teflon	1	
1	Contact Socket	Phosphor Bronze	1	GOLD
CODE	DESCRIPTION	MATERIAL	QTY	FINISH

BARENCO Ltd

Barenco Ltd

Unit 14 Winterbeck Ind. Est. Orston Lane, Bottesford, Nottinghamshire NG13 0AU. Tel. 0(44)1949 860400 Email.Sales@barenco.co.uk. Web.www.barenco.co.uk

DRAWN Name	B. Gell	BNC elbow bulkhead socket crimp for RG58 & RG141	
Dimensions: mm			
Date	23/02/2020	SIZE	DWG NUMBER
Last Rev.		A4	165145
SCALE	1 : 0.5	REV	-
		SHEET 1 OF 1	