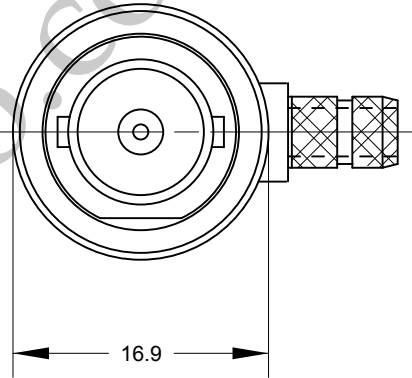
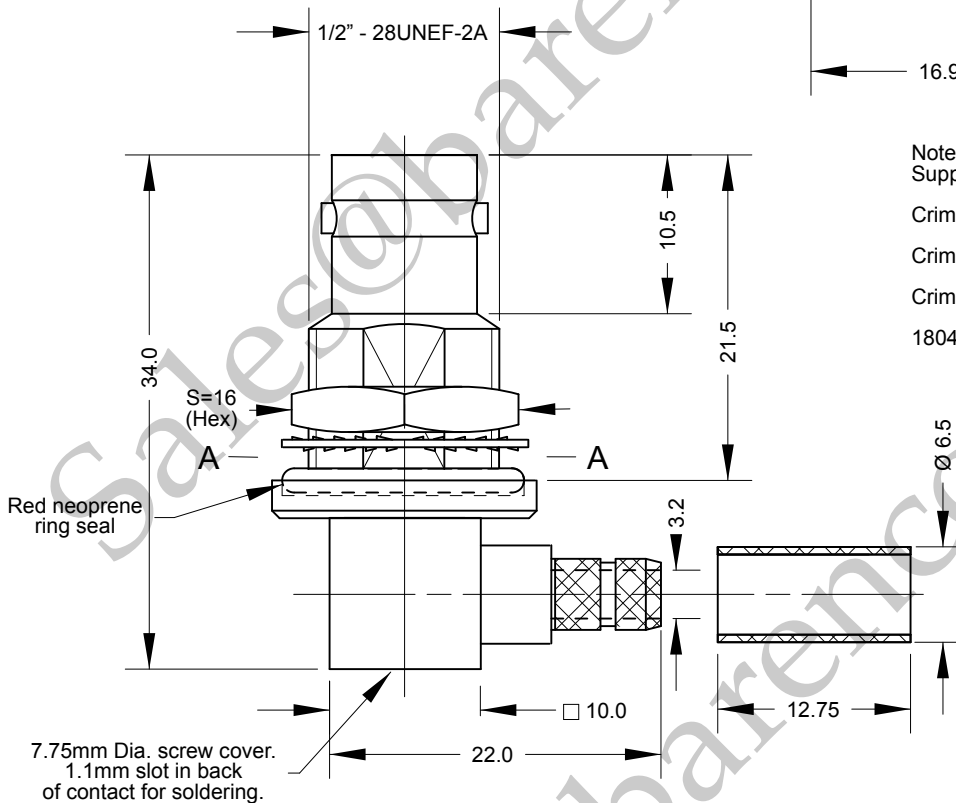


Panel Mounting Hole Cutout

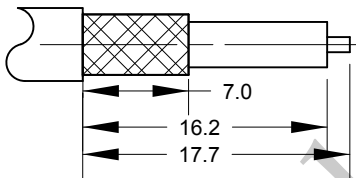
End View
Nut, Serrated Washer and Neoprene removed.



Note.
Supplied with heatshrink for crimp ferrule
Crimping Details
Crimp Ferrule Hex 0.213" (5.41mm)
Crimp Tool Order Code:-
180455, 180456 & 180458



Cable Preparation



Cable Construction Specifications

	RG58	RG223
Inner Conductor	0.90mm	0.89mm
Dielectric	2.95mm	2.95mm
Overall Braid	3.30mm	4.00mm
Jacket	4.95 mm	5.40mm

Note. If RG223 is used ferrule will have to be changed

6	Ferrule	Phosphor Bronze	1	CuSnZn3
5	Nut	Brass	1	CuSnZn3
4	Crimp Ferrule	Brass	1	CuSnZn3
3	Shell / Body	Brass	1	CuSnZn3
2	Insulator	PTFE / Teflon	1	
1	Contact Socket	Phosphor Bronze	1	GOLD
CODE	DESCRIPTION	MATERIAL	QTY	FINISH

BARENCO Ltd

DRAWN Name	B. Gell	BNC elbow bulkhead socket crimp for RG58	
Dimensions: mm		SIZE	DWG NUMBER
Date	23/02/2020	A4	165145
Last Rev.		REV -	SHEET 1 OF 1
SCALE 1 : 0.5			

Barenco Ltd

Unit 14 Winterbeck Ind. Est. Orston Lane, Bottesford, Nottinghamshire NG13 0AU. Tel. 0(44)1949 860400
Email.Sales@barenco.co.uk. Web.www.barenco.co.uk