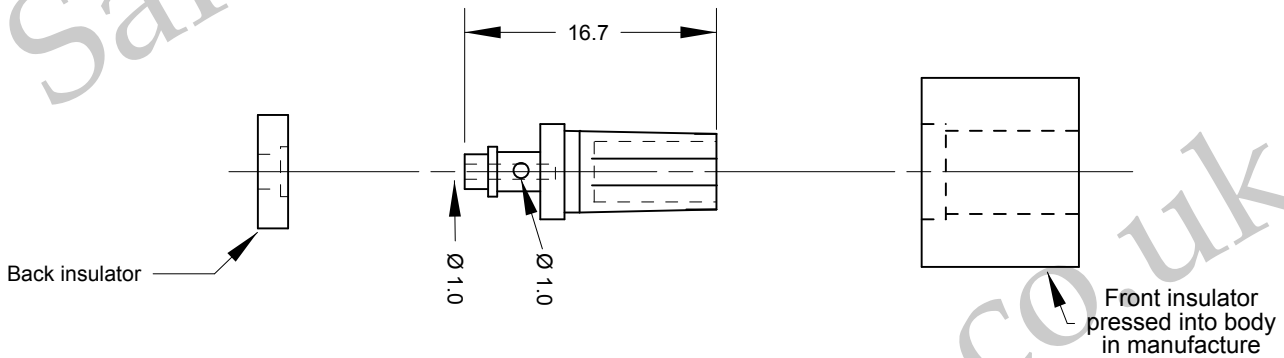
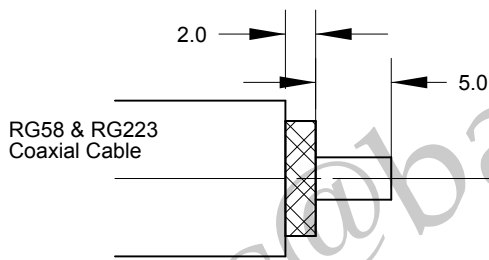


Cable : RG58 - RG223 & Equivalents

Pin and insulator arrangement



Cable Preparation



Cable Construction Specifications

| | RG58 | RG223 |
|-----------------|---------|--------|
| Inner Conductor | 0.90mm | 0.89mm |
| Dielectric | 2.95mm | 2.95mm |
| Overall Braid | 3.30mm | 4.00mm |
| Jacket | 4.95 mm | 5.40mm |

| | PART | DESCRIPTION |
|---|-------------|-----------------------|
| 1 | Shell/Body | Brass, CuSnZn3 Plated |
| 2 | Insulator | Teflon |
| 3 | Pin Contact | Brass, Gold Plated |
| 4 | Nut | Brass, CuSnZn3 Plated |

Barenco Ltd

Unit 14 Winterbeck Ind. Est. Orston Lane, Bottesford,
Nottinghamshire NG13 0AU. Tel. 0(44)1949 860400
Email.Sales@barenco.co.uk. Web.www.barenco.co.uk

BARENCO Ltd

| | | | |
|----------------|------------|-------------------------------------|--------------|
| DRAWN Name | B. Gell | UHF line socket for RG58 & RG223 | |
| Dimensions: mm | | | |
| Date | 14/11/2019 | SIZE | DWG NUMBER |
| Last Rev. | | A4 | 165415 |
| SCALE | 1 : 0.5 | REV | - |
| | | | SHEET 1 OF 1 |