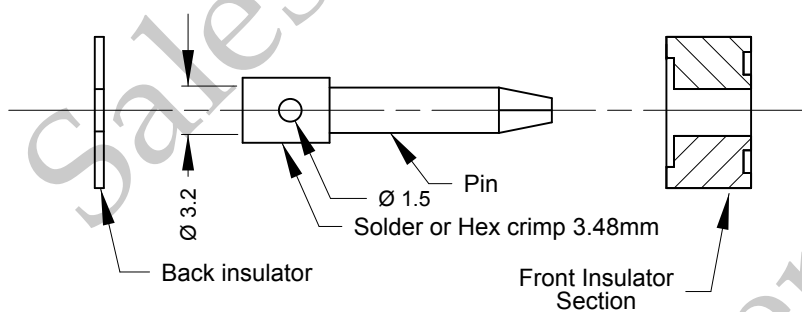


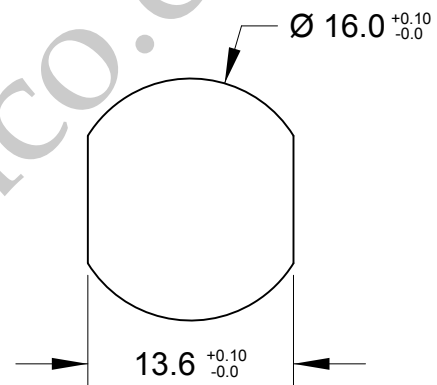
Cable : LMR-400 & Equivalents

Centre conductor crimp hex : 0.137" (3.48mm)

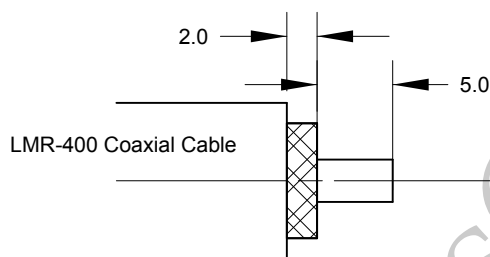
Pin and insulator arrangement



Recommended Panel Piercings Dimensions



Cable Preparation



Cable: Times Microwave LMR400

Construction Specifications
 Inner Conductor 2.74mm
 Dielectric 7.24mm
 Outer Conductor 7.39mm
 Overall Braid 8.13mm
 Jacket 10.29mm

	PART	DESCRIPTION
1	Shell/Body	Brass, CuSnZn3 Plated
2	Insulator	Teflon
3	Pin Contact	Brass, Gold Plated
4	Nut	Brass, CuSnZn3 Plated
5	Gasket	Silicone Rubber

BARENCO Ltd

DRAWN Name	B. Gell	N Socket bulkhead for LMR-400	
Dimensions: mm			
Date	14/11/2019	SIZE	DWG NUMBER
Last Rev.		A4	168080
SCALE	1 : 0.5	REV	-
			SHEET 1 OF 1

Barenco Ltd

Unit 14 Winterbeck Ind. Est. Orston Lane, Bottesford,
 Nottinghamshire NG13 0AU. Tel. 0(44)1949 860400
 Email.Sales@barenco.co.uk. Web.www.barenco.co.uk