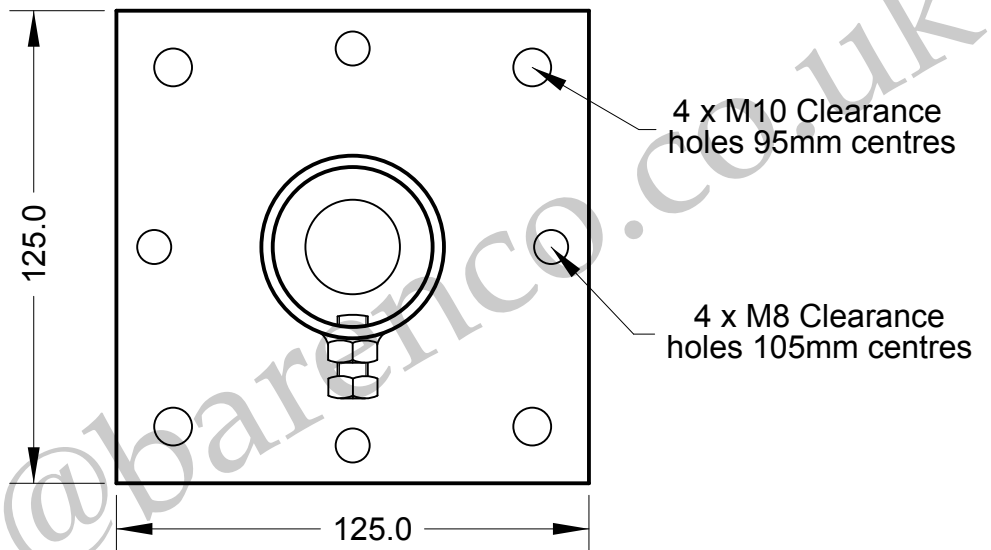
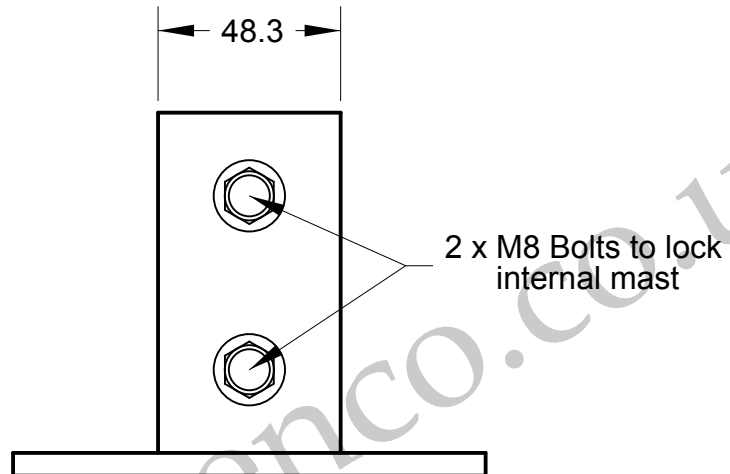


Part used in the modular "XS SYSTEM" designed by BARENCO



This product will fit the following bases.

- BE731 250mm x 150mm base plate with studs.
- BE732 300mm x 300mm base plate with studs.
- BE733 380mm long drive-on base.
- BE734 533mm long drive-on base.
- BE735 300mm x 300mm base plate no studs.

Material :- 6mm Mild Steel Plate  
Tube 48.3mm O.D. x 3mm wall

Finish :- Sherardized

**BARENCO Ltd.**

DRAWN Name B. Gell		Top mounting post 48.3mm Ø tube x 90mm tall	
Dimensions: mm		SIZE	DWG NUMBER
Date 22/12/2019	Last Rev.	A4	BE756
SCALE 2 : 1		REV -	SHEET 1 OF 1

**Barenco Ltd**

Unit 14 Winterbeck Ind. Est. Orston Lane, Bottesford,  
Nottinghamshire NG13 0AU. Tel. 01949 860400  
Email. Sales@barenco.co.uk. Web. www.barenco.co.uk