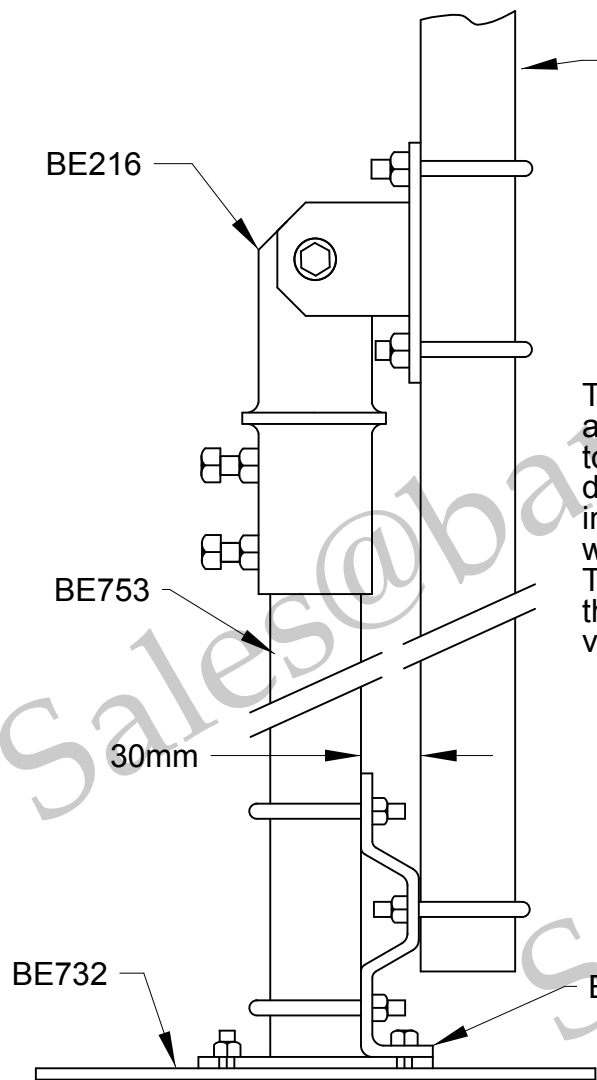
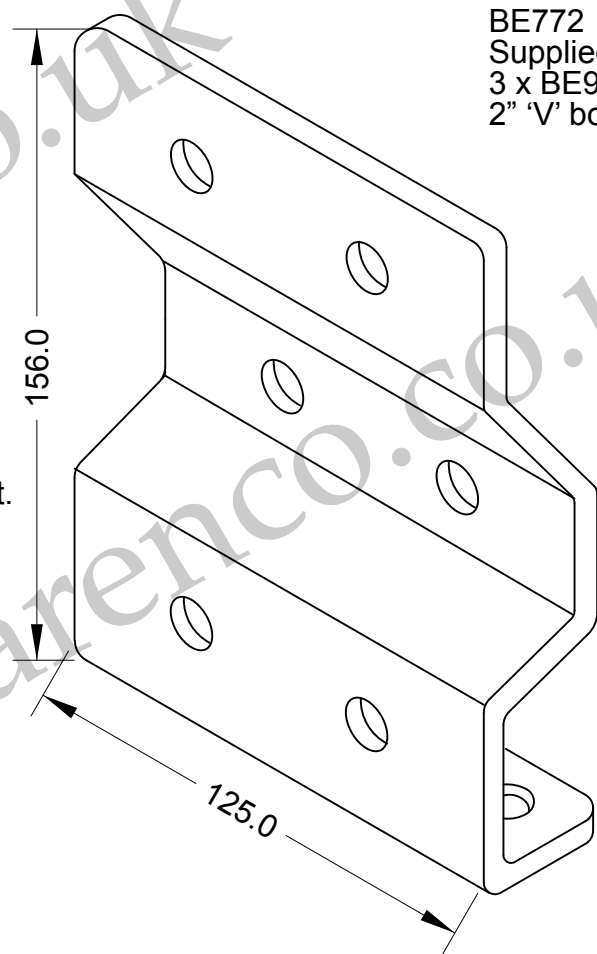


Part used in the modular "XS SYSTEM" designed by BARENCO



This rib plate can be mounted at the base of BE750 & BE753 to help reduce any movement due to top load, but also intended to lock off the tilt pole when used with BE216 top pole tilt. The suggested layout will replace the BE102 and will give a more versatile arrangement.



BE772
Supplied with
3 x BE915
2" 'V' bolts

Material:- 6mm Mild Steel Plate
Finish :- Sherardized

BARENCO Ltd.

DRAWN Name		B. Gell		Rib base support plate for 48.3mm top	
Dimensions: mm					
Date	7/11/2019	SIZE	DWG NUMBER		
Last Rev.		A4	BE772		
SCALE 2:1		REV -		SHEET 1 OF 1	

Barenco Ltd
14, Winterbeck Industrial Estate, Orston Lane, Bottesford, Nottingham, NG13 0AU
Email : sales@barenco.co.uk Web address : www.barenco.co.uk Tel : 01949 860400